

ALTA 4G LTE INDUSTRIAL CELLULAR GATEWAY

General Description

The ALTA Industrial Cellular Gateway (CGW) is an advanced all wireless M2M gateway that enables fast time-to-market solutions for a wide range of M2M applications. The Industrial CGW allows your Monnit Wireless Sensors to communicate with the iMonnit™ Online Wireless Sensor Monitoring and Notification System via cellular transmission. This is the perfect solution for remote industrial locations where there is no existing internet connection and environmental conditions may be wet or dusty.

Monnit's industrial cellular gateways are specifically designed to respond to the increasing market need around the world for global technology that accommodates multiple vertical M2M application segments and solutions for remote wireless sensor management. Monnit cellular gateways are available in CDMA, 4G, 3G or 2G cellular technologies to support a variety of cellular carriers and global locations.

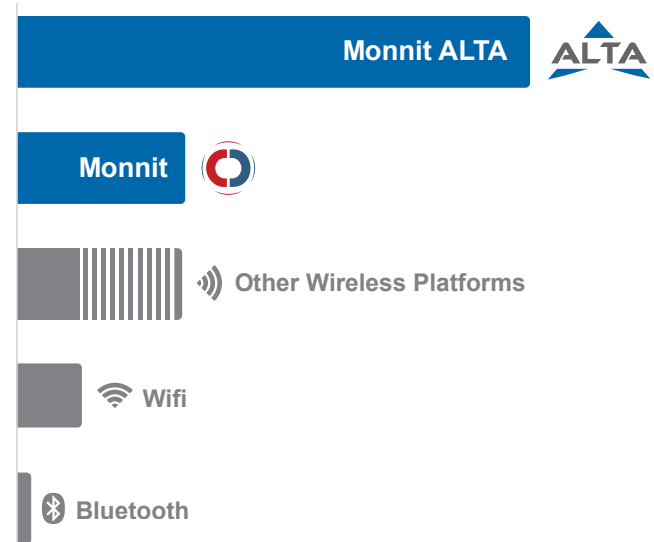
Example Applications

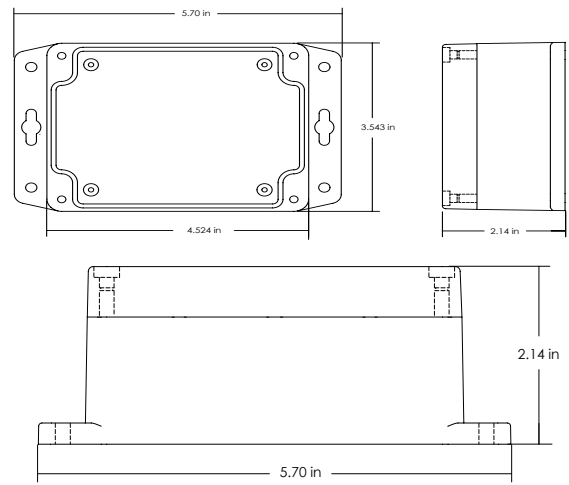
- Remote Location Monitoring
- Shipping and Transportation
- Agricultural Monitoring
- Vacant Property Management
- Vacation Home Property Management
- Construction Site Monitoring
- Data Center Monitoring

ALTA LTE Cellular Gateway Features

- Wireless range of 1,200+ feet through 12+ walls *
 - Frequency Hopping Spread Spectrum (FHSS)
 - Improved interference immunity
 - Encrypt-RF[®] Security (Diffie-Hellman Key Exchange + AES-128 CBC for sensor data messages)
 - Up to 50,000 sensor message memory
 - Over the air updates (future proof)
 - True plug & play, no hassles for internet configuration set-up
 - No PC required for operation
 - Low-cost cellular service packages
 - Local status LEDs with transmission and online status indicators
 - AC power supply
 - 24 hour battery backup in event of power outage
- * Actual range may vary depending on environment.

Wireless Range Comparison





ALTA 4G LTE Industrial Cellular Gateway Specifications

Models

Cellular	MNG2-9-LTE-IN-ND
----------	------------------

Cellular

Cellular Technology	LTE CAT-M1 LTE-only module for global use (AT&T, T-Mobile USA, Telstra, Verizon) Cat M1/NB1 deployed bands 2, 3, 4, 5, 8, 12, 13, 20, 28
SIM Card Compatibility	Micro-SIM (3FF) 15 mm x 12 mm x 0.76 mm

Power

Input Power	90-240 VAC @ 0.2A max (15W), 5.9VDC @ 2500mA max
Battery Backup	Battery Type: Rechargeable Lithium Polymer
	Battery Duration: Up to 24 hours
	Battery Cycle Life: 500 times
	Battery Safety: IEC62133

Mechanical

LEDs	Sensor Data, Server Status, Cellular Status
Device Memory	Up to 50,000 sensor messages (Sensor messages will be stored in the event of Internet outage and transferred when connection is restored)

Enclosure

Material	ABS
Dimensions	5.004 x 3.8 x 1.51 in.
Weight	7 ounces

Environmental

Operating Temperature	+5 to +45°C (41 to 113°F)
Storage Temperature	-20 to +60°C (-4 to 140°F)

ALTA Wireless

Transmit Power (EIRP)	50 mW (900 MHz), 25 mW (868 MHz), 10 mW (433 MHz)
Antenna Type	Connector: SMA Gain: 4.0 dBi
Wireless Range	1,200+ ft. non-line-of-sight *
Security	Encrypt-RF® (256-bit key exchange and AES-128 CBC)

Certifications

	Safety: IEC 60950-1 and IEC 62368-1; EMC: IEC 55024, IEC 55032, IEC 301489-1, -3, -A, -52, FCC 47 CFR Part 15, subpart B and ICES - 001 Issue 6; RF: 900 MHz product includes model FCC ID: ZTL-G2SC1 / IC: 9794A-G2SC1 and FCCID: XPY2AGQN4NNN / IC: 8595A-2AGQN4NNN; 868 MHz product includes Module G2SC1 (IEC 300 220-1, -2); 433 MHz product includes Module G2SC2 (IEC 300 220-1,-2)
--	--

* Actual range may vary depending on environment.

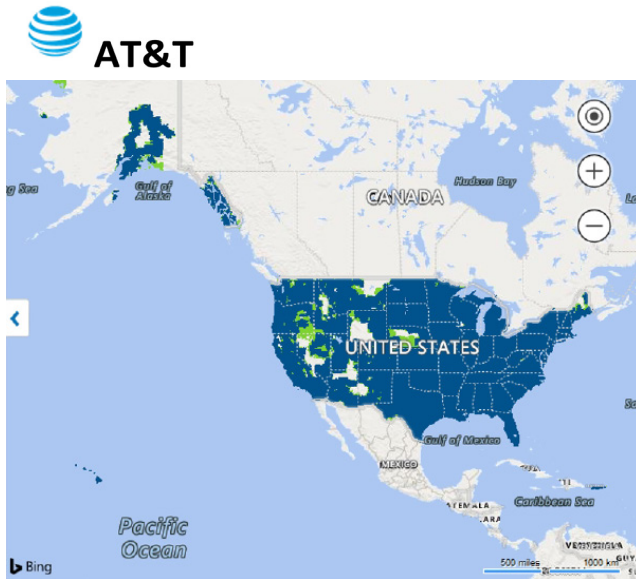
Commercial Grade Cellular Gateways:

Monnit commercial grade cellular gateways are designed for applications in ordinary environments (normal room temperature, humidity and atmospheric pressure). Do not use these gateways under the following conditions as these factors can deteriorate the product characteristics and cause failures and burn-out.

- Corrosive gas or deoxidizing gas – chlorine gas, hydrogen sulfide gas, ammonia gas, sulfuric acid gas, nitric oxides gas, etc.).
- Volatile or flammable gas.
- Dusty conditions.
- Under low or high pressure.
- Wet or excessively humid locations.
- Places with salt water, oils chemical liquids or organic solvents.
- Where there are excessively strong vibrations.
- Other places where similar hazardous conditions exist.

Use these products within the specified temperature range. Higher temperature may cause deterioration of the characteristics or the material quality.

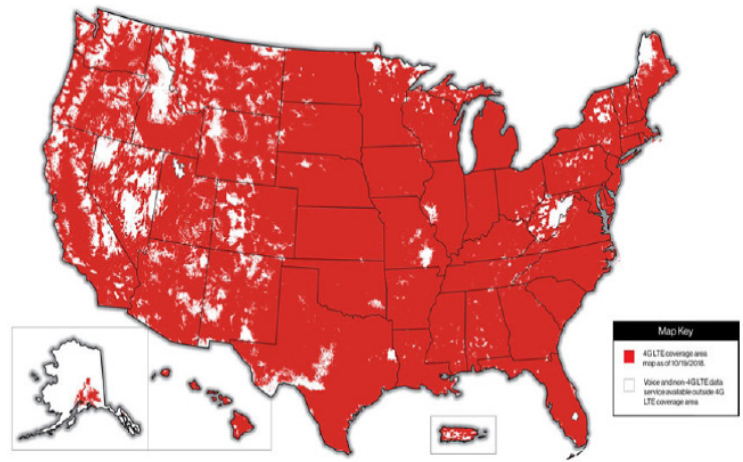
Coverage Maps:



This map shows an approximation of wireless data coverage in the United States, Puerto Rico, and U.S. Virgin Islands.

Current as of 04/12/2019

verizon



Current as of 04/12/2019

MONNIT

For more information about our products or to place an order, please contact our sales department at 801-561-5555.

Visit us on the web at www.monnit.com.

Monnit Corporation
3400 South West Temple
South Salt Lake, UT 84115
801-561-5555
www.monnit.com